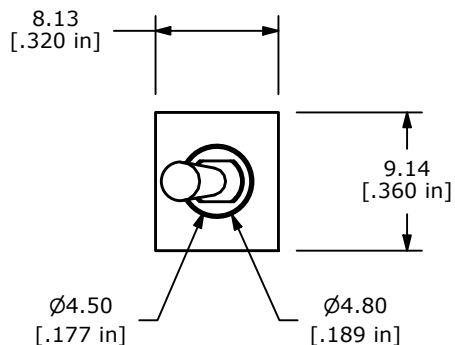
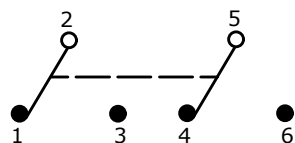


P.C. MOUNTING



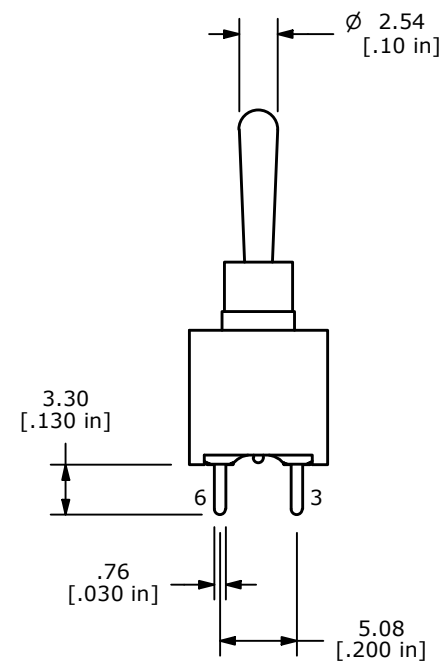
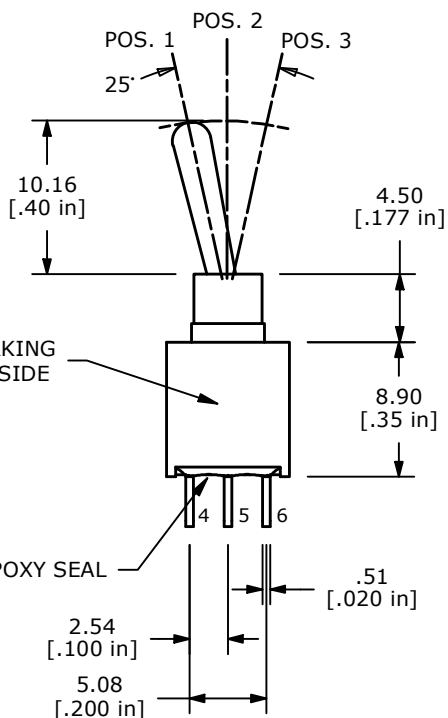
▲ SWITCH FUNCTION		
POS. 1	POS. 2	POS. 3
ON	OFF	ON
2-3, 5-6	OPEN	2-1, 5-4



CIRCUIT: DPDT

NOTE:

1. ALL DIMENSIONS IN MM [INCH]
2. GENERAL TOLERANCE: X.X = ±0.4
X.XX = ±0.25
3. TERMINAL NUMBERS FOR REF ONLY
- ▲ 4. PLATING MATERIAL: SILVER
5. RATING: 3 AMPS @ 120VAC (or 28 VDC)
1 AMP @ 250VAC
6. LIFE EXPECTANCY: 50,000 MAKE-AND-BREAK CYCLES
AT FULL LOAD.
7. INSULATION RESISTANCE: 1,000 Mega-OHM MIN.
8. CONTACT RESISTANCE: 20 Milli-OHMS MAX.
9. DIELECTRIC STRENGTH: 1,000 V RMS @SEA LEVEL.
10. OPERATING TEMP.: -30°C to 85°C
11. ▲ DENOTES CRITICAL PARAMETER.



C	24334	updated print	6/2/20	MW
B	23051	redrawn and update drawing	10/18/17	MW
A	11590	RELEASED FOR PRODUCTION	08/01/01	CJB
REV	PCR NO	DESCRIPTION	DATE	BY

THE INFORMATION CONTAINED IN THIS DOCUMENT IS PROPRIETARY TO E-SWITCH AND IS NOT TO BE COPIED OR TRANSFERRED



TITLE 200AWMDP3T1A2M2QE				
SCALE 2:1	DATE 10/18/2017	DR MW	DWG T202301	REV C